

EXHIBIT A TO ORDINANCE NO. 94-22

Skirt w/ Load Cell Columns Supported, Allowable Stress from manufacturing standard, Engineering & Design Per ES-1000

Tank Dimensions

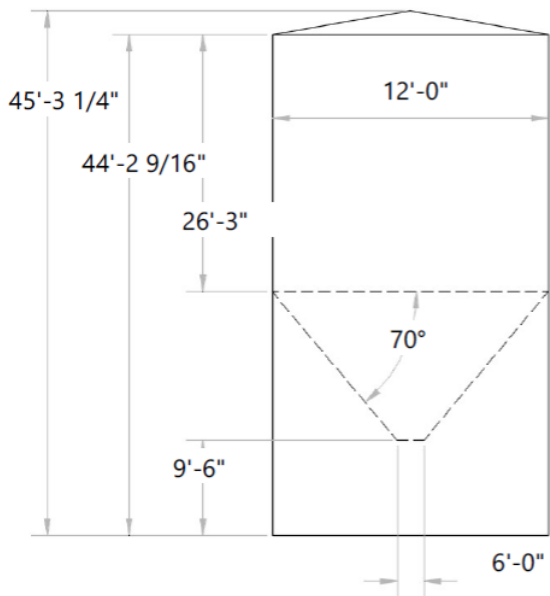
Tank Diameter: 12'-0"
 Eave Height: 44'-2 9/16"
 Overall Height: 45'-3 1/4"
 Cylinder Height: 26'-3"
 Total Tank Capacity: 3,448 Cu. Ft.
 Usable Capacity: 2,884 Cu. Ft.
 Hopper Angle: 70°
 Discharge Size(Chisel): 6'-0" X 6'-0"
 Discharge Clearance: 9'-6"
 Interior Design Pressure: 14.90 PSI
 Exterior Design Pressure: 0.03 PSI Vacuum

Tank Loads

Code Name: IBC 2015
 Risk Category: Risk Category II
 Seismic Importance Factor: 1.00
 Soil Class: D
 Roof Load (Snow Load): 50.00 PSF
 Wind Speed: 115.00 MPH
 Wind Exposure: C
 Tank Weight (Dead Load): 28,600 Lbs.
 Material Load (Live Load): 115,360 Lbs.
 SS: 0.048 S1: 0.031

Material Characteristics

Material Name: Unknown (40)
 Density: 40.00 Lbs. per Cu. Ft. Angle of Repose: 25°
 Internal Friction: 22° Pressure Coefficient: 0.33
 *Freeboard Height: 4'-0"
 ***Freeboard is calculated from the eave, to the top of the repose.*
 Need MTRs: Yes



Roof 10°		3/8" 316LSS
Pres. Band 1	7"	1 1/2" 316L Stainless
Cylinder 2	5'-0"	3/16" 316L Stainless
Cylinder 3	25'-0"	10GA 316L Stainless
Cylinder 4	13'-7 9/16"	3/16" A-36
Hopper 70°		3/16" 316LSS
Base Ring Material		A36 Carbon Steel